

Echolink MKIV Controller Ultimately reliable from years of on air use

The purpose of the Echolink Controller is to enable isolated ground communication between a radio, and PC. In this controller the receive signal path from radio to pc is shown in green. The tx audio path from the PC to the radio is shown in blue.

The tone control is an active one based around a low noise op amp, and allows for Bass and Treble tone adjustment of the uplink received audio.

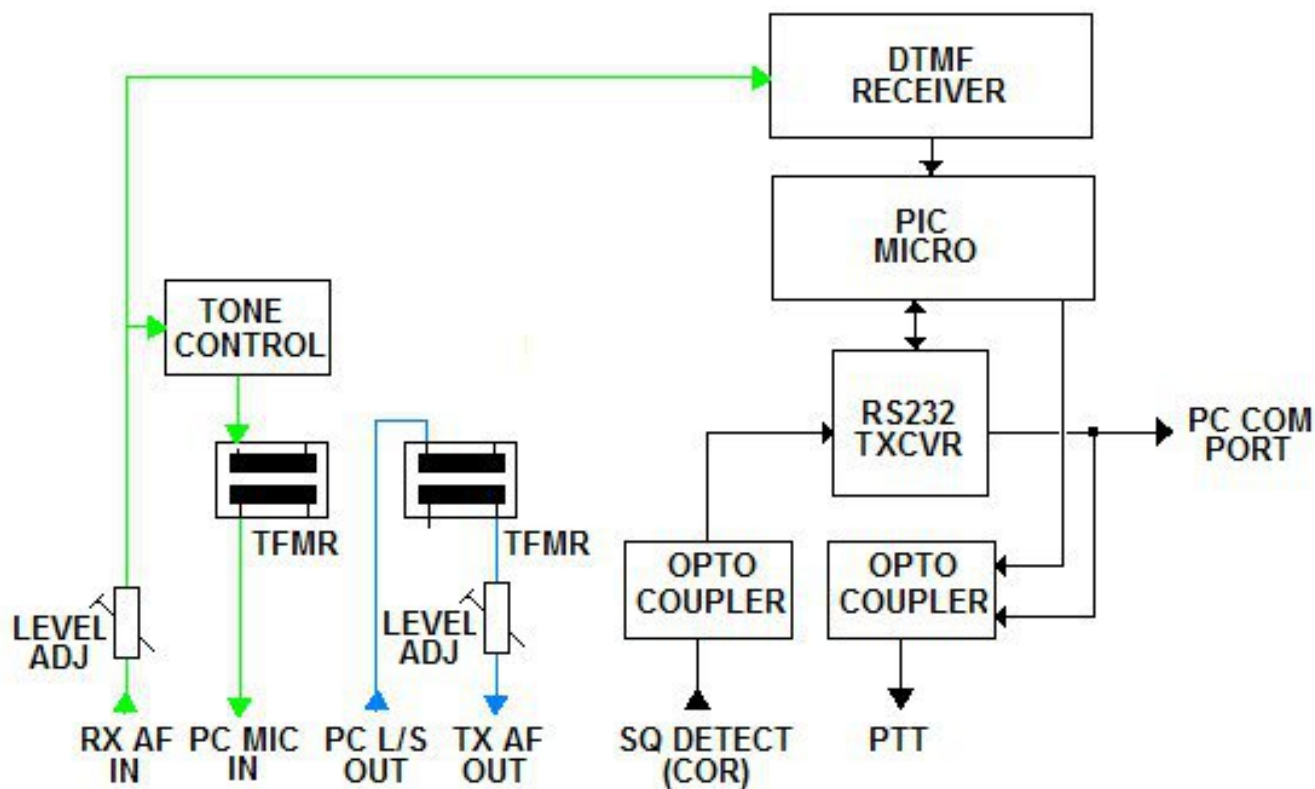
The controller uses squelch detect or carrier detect from the radio to provide for uplink ptt indication which is far superior to using vox.

The Echolink MKIV utilises either Echolink's own ascii control for tx/rx, as well as the ability to use the com ports RTS signal for ptt, which gives it the versatility to be able to use other voip or data softwares.

All communication to the PC is via an RS232 serial link cable, and this can be adapted to USB port operation by the inclusion of a USB/Serial port adaptor.

Note that this is a basic block diagram which gives the general concept of the unit.

MKIV BLOCK DIAGRAM...G3VFP



Any queries please contact Dave G3VFP ezeuk@blueyonder.co.uk

ECHOLINK MKIV FRONT VIEW



ECHOLINK MKIV REAR VIEW

